

»GEKA-plus« series, stainless steel

Claw couplings (claw distance: 40 mm) made of stainless steel (similar to 1.4581). Suitable for a wide range of applications, e.g. in the chemical, food processing, water management, vehicle construction, shipbuilding and aerospace industries, agriculture, environmental engineering, etc. The stainless steel series can be easily coupled to the standard brass series!

Operating pressure: Max. 40 bar
 Medium and ambient temperature: -10 °C to +150 °C
 Sealant: FKM


GEKA hose pieces, rigid, stainless steel

Art. No.	Ident No.	Connection	Hose nominal width	L mm
K 101-ES	107822	I.D. 13	1/2"	28.0
K 103-ES	107823	I.D. 19	3/4"	32.0
K 104-ES	107824	I.D. 25	1"	37.0
K 106-ES	107825	I.D. 32	1 1/4"	48.0



K 101-ES

GEKA threaded pieces with female thread, rigid, stainless steel

Art. No.	Ident No.	Connection	L mm
K 110-ES	107826	G 1/2	9.5
K 111-ES	107827	G 3/4	10.5
K 113-ES	107828	G 1	11.0
K 114-ES	107829	G 1 1/4	13.5



K 110-ES

GEKA threaded pieces with male thread, rigid, stainless steel

Art. No.	Ident No.	Connection	L mm
K 110 A-ES	107830	G 1/2	8.0
K 111 A-ES	107831	G 3/4	8.0
K 113 A-ES	107832	G 1	8.0
K 114 A-ES	107833	G 1 1/4	13.0



K 110 A-ES

GEKA dummy couplings, stainless steel

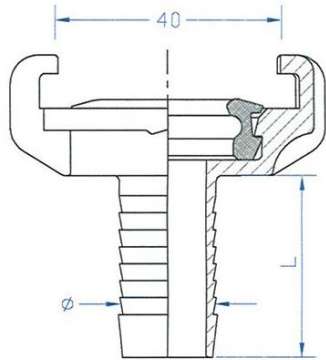
Art. No.	Ident No.	
K 118-ES	107834	
K 118-K	107775	Chain for dummy coupling



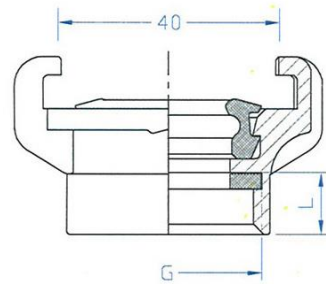
K 118-ES



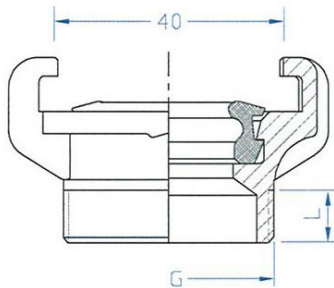
K 118-K



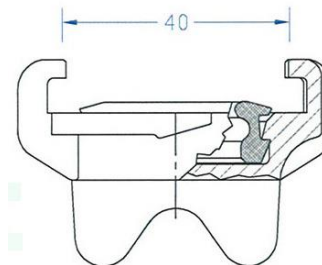
Hose piece



Female thread



Male thread



Dummy coupling